

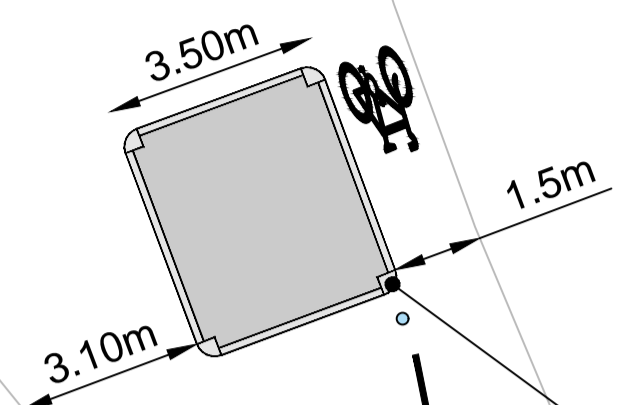


STREET

21 to 25

Mersey Bank House

EI Sub Sta



SOUTHBOUND CYCLE BYPASS WITH NEW PHYSICAL ISLAND

BOLLARDS @ 2.5m CENTRES

NOTES

Revn.	Revision Details	Rev by	Chk by	Date:



Environment and Transport Directorate
East Annexe, Town Hall, Sankey Street, Warrington WA1 1UH

Project
Active Travel Fund 2

Drawing Title
Barbauld Street - Permanent Southbound Ban to Motor Vehicles with Cycle Bypass

Drawn by e-mail @warrington.gov.uk

Approved by Telephone 01925 44

Date Fax 01925 443255

Scales Drawing No. H21-002-007 Phase / Revision

© Crown copyright and database right 2022.
Ordnance Survey 100022848.
You are not permitted to copy, sub-licence, distribute or sell any of this data to third parties in any form.